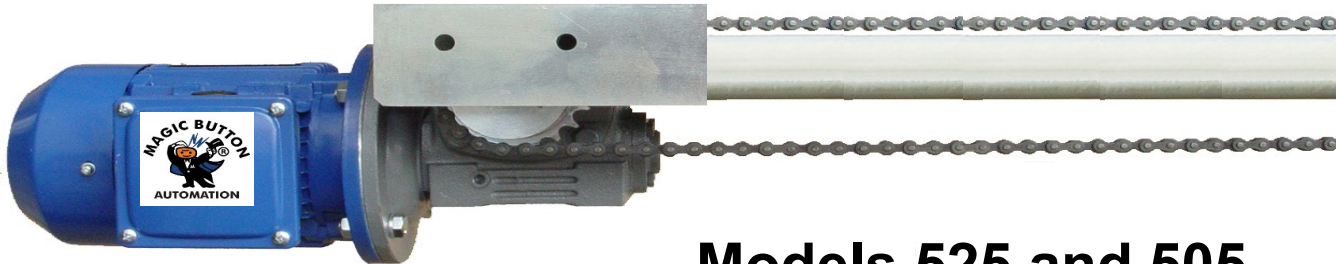




# MAGIC BUTTON

## Overhead door operator for high use car parks



### Models 525 and 505

#### Intensive use, Robust design

Designed and manufactured in Australia by **Liftmaster**, the 505 (3 phase) and 525 (single phase) sectional overhead door operators are robustly manufactured for sectional doors where intensive use conditions apply, such as; high rise office buildings and strata plans with doors to a maximum height of 3.8 meters.

The drive carriage is of hard wearing self lubricating

nylon to ensure smooth quiet movement along the self supporting rails. A heavy duty adjustable and continuous chain controls the movement of the carriage and is driven directly off the gearbox.

An idler sprocket is used to support the chain. The front idler roller is fitted with a sealed bearing to prevent wear, with the intermediate roller made of hard wearing nylon.

A limit switch is fitted to each end of the angle rails with a special bracket to ensure accurate positioning of the door in the open and closed position.

- ◆ **Oil filled gearbox**
- ◆ **Fan cooled motor**
- ◆ **Continuous operation**
- ◆ **Adjustable clutch**
- ◆ **Large range of logic controls**

#### Gearbox & clutch



Oil filled gearbox gives efficient and long lasting operation, and an adjustable clutch adds additional protection to the door and motor.

#### Motor



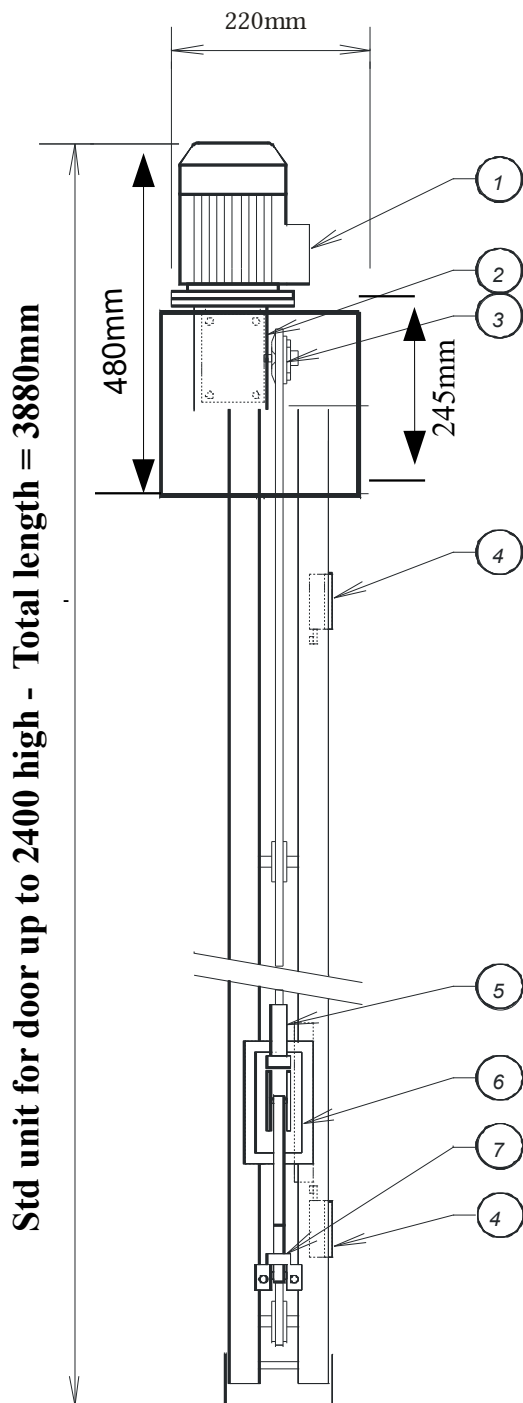
½ HP single phase or 3 phase fan cooled motor for continuous operation. Can also be used with an Inverter for smoother operation on large doors.

#### Quick release



In the event of a power failure, a simple disconnect device is fitted to the drive carriage.

# MAGIC BUTTON



## MODELS 525 and 505

- |                            |                                      |
|----------------------------|--------------------------------------|
| <b>1: Fan cooled motor</b> | <b>5: Chain adjustment</b>           |
| <b>2: Gearbox</b>          | <b>6: Carriage</b>                   |
| <b>3: Torque limiter</b>   | <b>7: Disconnect arm and bracket</b> |
| <b>4: Limit switches</b>   |                                      |

### HEADROOM

Add an extra 100mm to the headroom of your doors specified head clearance.

### BACKROOM

Add 1140mm behind the door when in the up position.

### STANDARD MODEL FOR STD HEAD ROOM DOORS UP TO 2400mm HIGH

See the dimensions opposite for doors up to 2400mm high. If non standard model required please provide door height, dimensions required or contact Liftmaster Electronics.

### LOGIC CONTROL

When coupled with our logic controller, a comprehensive range of control functions are available, eg. Radio control, card reader, key switch etc.

The door will open and close after the photo electric beam is crossed and cleared. If the beam is interrupted when the door is closing the door will stop, reverse reset and close.

Refer to our Magic Button logic control information for full details.

### ADDITIONAL OPTIONS

- ◆ Card readers
- ◆ Key switches
- ◆ Radio control
- ◆ Programmable radio control
- ◆ Photo electrics (PE)
- ◆ Vehicle Detectors
- ◆ Traffic lights