



MAGIC BUTTON

Magic Button Torsion Drive Motor for High Sectional Overhead Doors

APPLICATION

Designed for all types of Sectional Overhead doors, the torsion drive system suits high doors for car parks and emergency buildings.

CONSTRUCTION

The parts of the torsion drive mechanism - the motor, gearbox, slipping clutch and limit switches, form a small unit specially designed for driving Sectional Overhead doors. The hollow shaft gearbox requires a solid torsion bar for secure attachments, and keeps side room requirements to a minimum.

RELIABILITY

The built in slipping clutch is an effective safety mechanism, that restricts the force pressure when ever the door meets an obstacle. The torque transmitted by the slipping clutch can be adjusted from zero to it's full value. All components are of the best quality materials and workmanship as specified by the NSW Fire Brigade.

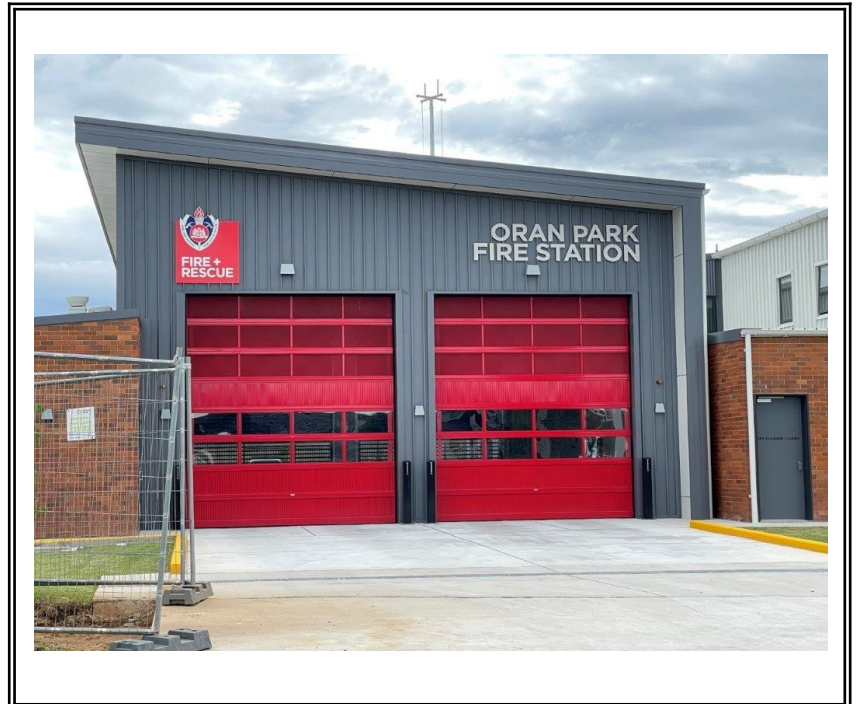
INSTALLATION

The mechanism is supported by the solid torsion bar, and is secured to the door to prevent rotation during operation.

Side room requirements: 300mm

EMERGENCY OPERATION

A disconnect lever allows for easy unlocking and re-connection of the door. Two ropes can be provided so this operation can be done from ground level.

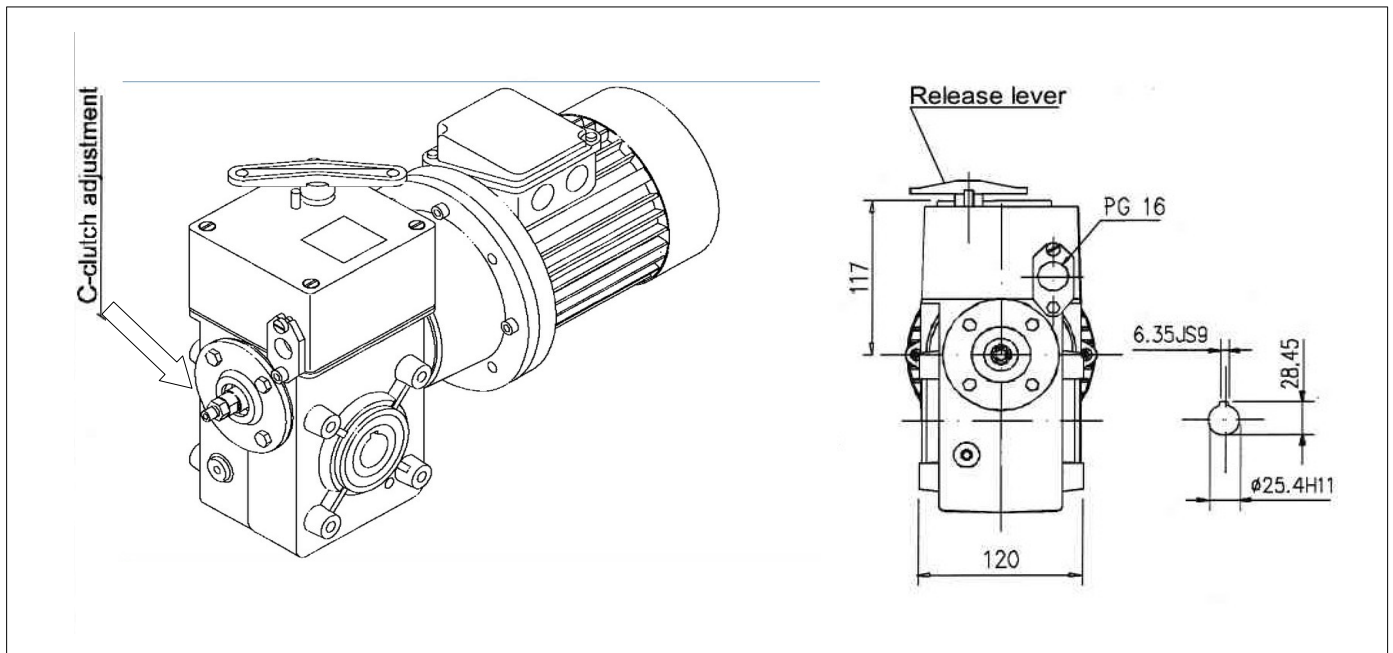


MAGIC BUTTON

CONTROL DEVICES

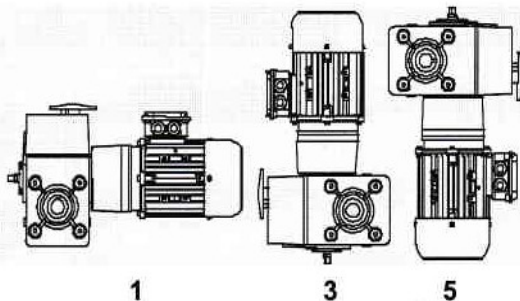
In accordance with the clients requirements we can supply a range of controls to meet each Situation. The Magic Button Torsion Drive can be run with 3 phase power or with a 240v inverter control, providing soft start and soft stop.

Other Magic Button accessories available may include: Photo Electrics, Vehicle Detectors, Key Switches, Traffic Lights, Access Control & **Magic Button** Radio Control.



GEAR TV			400V 50Hz MOTOR - 3 PHASE			
RPM	Transmission Ratio	Nominal Torque	Absorbed Power	RPM	Current A	Housing Protection
31	45:1	73	0.55	1380	4.2	IP-54

Mounting:



Mounting Bracket

